



Model: M1000 robust d.c.

INSTRUCTIONS TO USER

Check motor voltage and frequency shown on identity label and ensure correct supply.

Motor leads to be terminated in accordance with relevant electrical safety standards by suitably qualified personnel.

Motor should be earthed.

Pump tubing will not last forever. Establish suitable tube replacement schedule to avoid inconvenient tube failure

LIMIT OF USE – These pumps should not be used in conjunction with life support equipment.

This pump should not be in anyway connected to the human body.

All the advantages of the patented Autoclude low flow pump, with worm drive gearbox and high torque characteristics, tube cartridge can be changed in seconds with no tools required. Improved performance on viscous liquids with speed/flow rate combinations to suit your requirements .



- Pump Head:** Black polycarbonate with support bearing and mounting plate.
- Rotor:** Polycarbonate, stainless steel inserts with nylatron rollers (adjustable).
- Motor:** Permanent magnet motor 12/24vdc
- Tube:** Autoprene®: 6mm tube/cartridge assy.
Silicone: 1.5mm, 4.0mm, 5.0mm & 6.0mm
- Gearbox:** Worm drive
- Weight:** 1.6 Kg

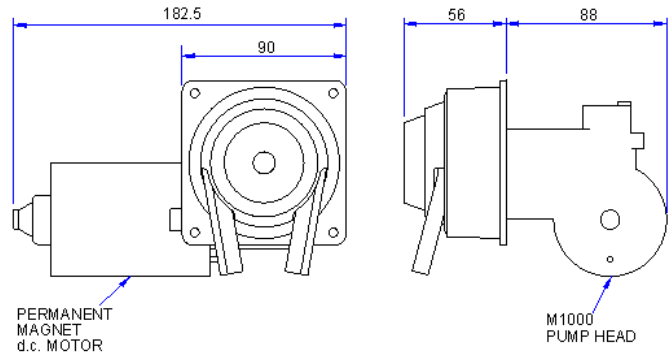
M1000 DC ROBUST - FLOW RATE INFORMATION			
RPM			
TUBE	55	125	240
1.6	15.4	35	67.2
4	110	250	480
5	143	325	624
6	176	400	768

All flow rates shown in ml/min

Identify required flow rate in above table and select largest tube size with slowest motor speed to achieve best tube life.



Typical robust d.c. assembly dimensions



M1000 STANDARD SPARES

PART NO	DESCRIPTION
AU E0011 02	Cartridge housing
AU E0017	Ball-race bearing
AU E0018 03	Rotor assembly complete
AU E0021	Cartridge clip
AU E0028	Setting jig for rotor 1.5x6.0mm (other size setting jigs available)
AU E0037	Motor cooling fan CCW (nylon)

TUBE CARTRIDGE ASSEMBLY

AU E0047 1CPS 01	1.5mm tube Silicone cartridge
AU E0057 01	Connector 1.5mm
AU E0047 1CPS 04	4.0mm tube Silicone cartridge
AU E0057 04	Connector 4.0mm
AU E0047 1CPS 05	5.0mm tube Silicone cartridge
AU E0057 05	Connector 5.0mm
AU E0047 1CPS 06	6.0mm tube Silicone cartridge
AU E0057 06	Connector 6.0mm
AU E0047 1CPA 06	6.0mm tube Autoprene cartridge

Other tube materials are available, contact our sales staff for more information.

GUARANTEE

This product is guaranteed to be free from defects in material and workmanship for a period of 12 months from date of purchase. Products out of guarantee period will be repaired for a nominal charge. For your protection items returned must be carefully packed to prevent damage in transit and insured against possible loss.



ARISDALE AVENUE, SOUTH OCKENDON, ESSEX RM15 5DP, ENGLAND
 TELEPHONE: +44 (0) 1708 856125/6 FAX: +44 (0) 1708 857366
 WEBSITE: www.autocludepumps.com
 E-MAIL: info@autocludepumps.com